

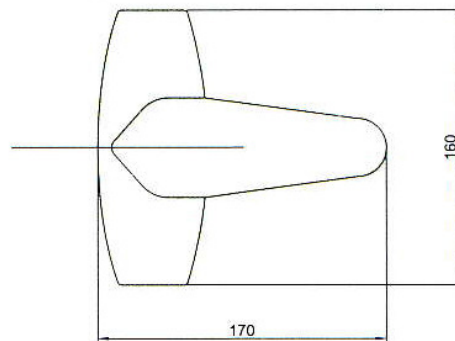
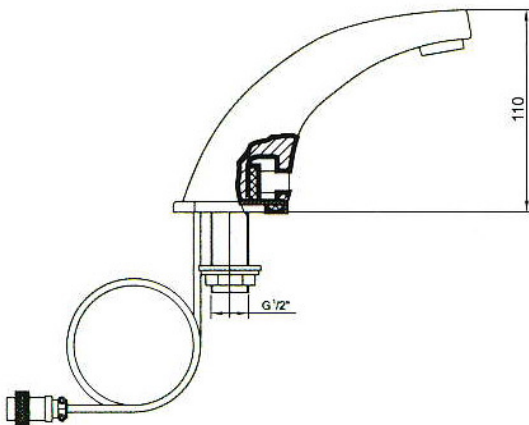


### Electronic Tap Assembly

- Hands free design
- Water saving
- Hygienic
- Infrared sensors
- Microcomputer control
- Automatic ON/OFF switch
- 1 second time delay
- Brass with chrome plate construction
- Non adjustable flow rate at 6.5L/min at 0.1Mpa
- Battery powered – uses 4 AA batteries (not included)



Part number:	Description
DPMS42D	4" Deck-mounted electronic faucet only
DPMS42D/KIT	4" Deck-mounted electronic faucet kit complete with mixer valve
DPGR100	Mixer Valve



For more information and to place an order contact our sales team on **01327 311144** or **sales@die-pat.co.uk**